
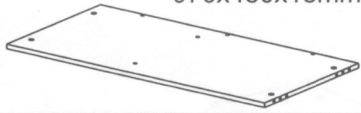

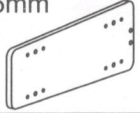
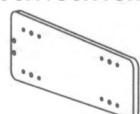
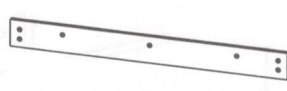
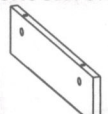
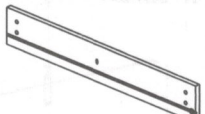


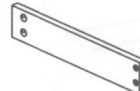
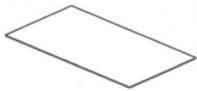
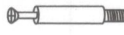



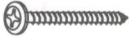







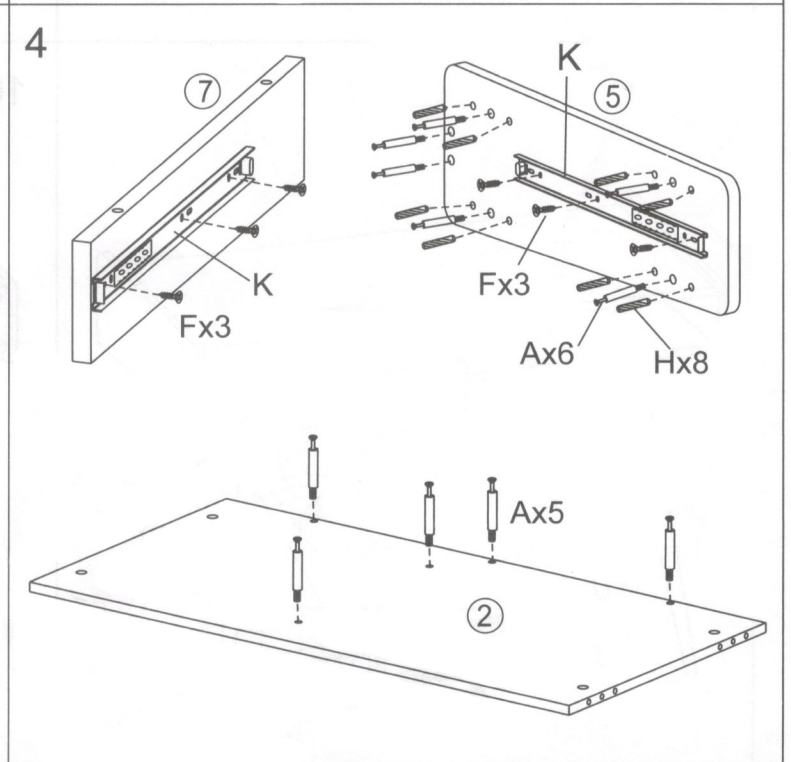
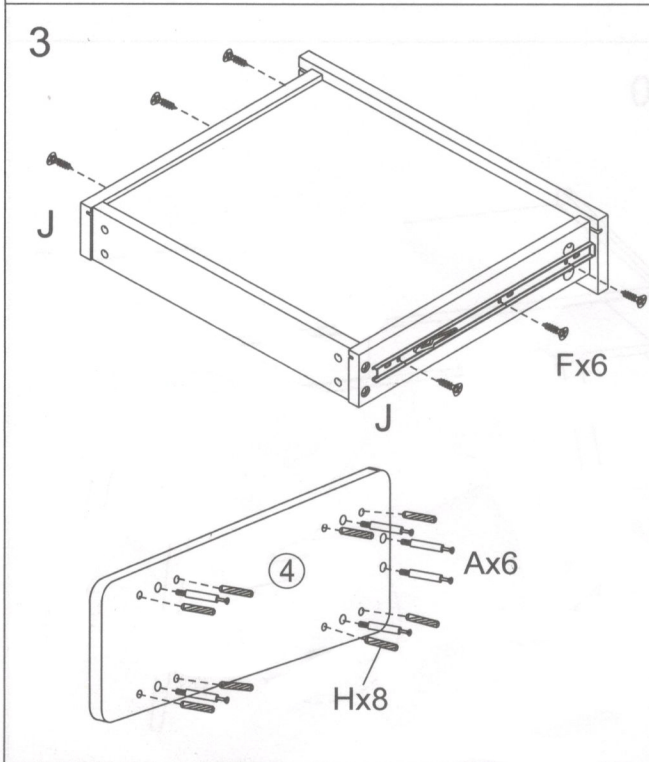
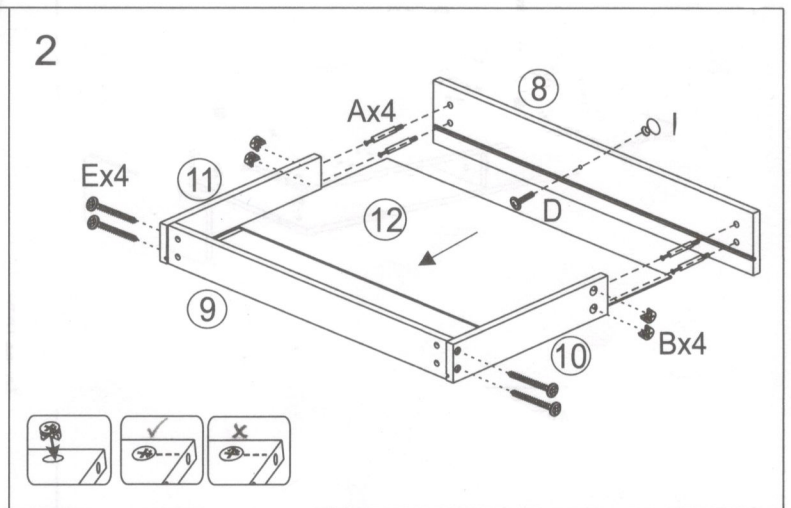
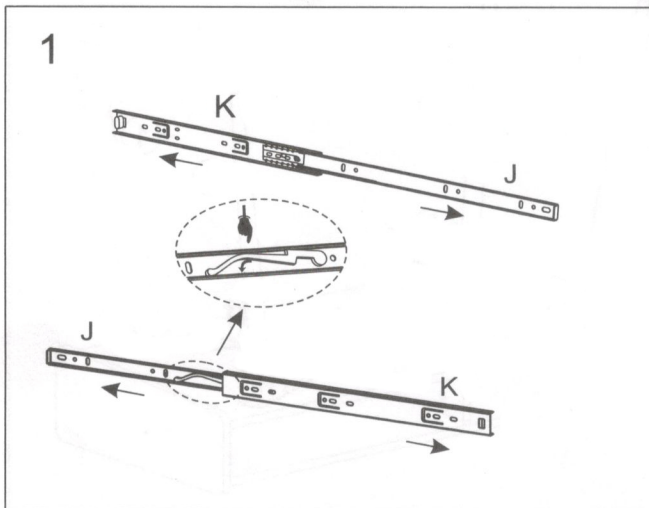
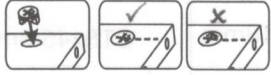
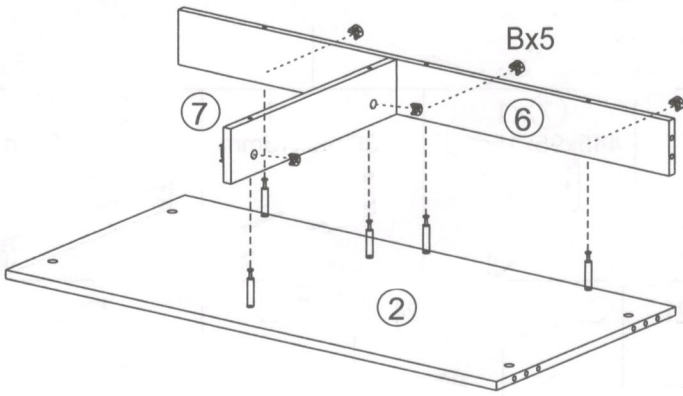


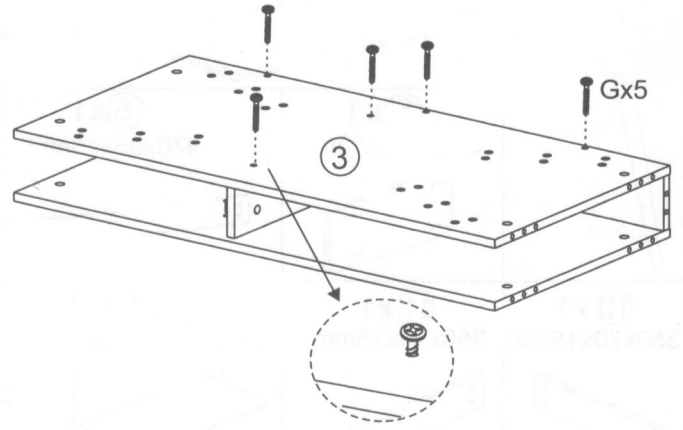
①x4 	②x1 970x480x15mm 	③x1 970x480x15mm 	④x1 500x180x15mm 				
	⑤x1 500x180x15mm 	⑥x1 970x95x15mm 	⑦x1 445x95x15mm 	⑧x1 430x90x15mm 	⑨x1 365x70x15mm 		
⑩x1 350x70x15mm 	⑪x1 350x70x15mm 	⑫x1 375x340x3mm 	Ax21  M6x40mm	Bx21 	Cx24  M6x15mm	Dx1  M4x18mm	Ex4  ST5x45mm
Fx12  ST3X12mm	Gx5  φ 7x38mm	Hx16  φ 8x35mm	Ix1 	Jx2 	Kx2 	Lx1 	



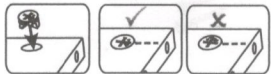
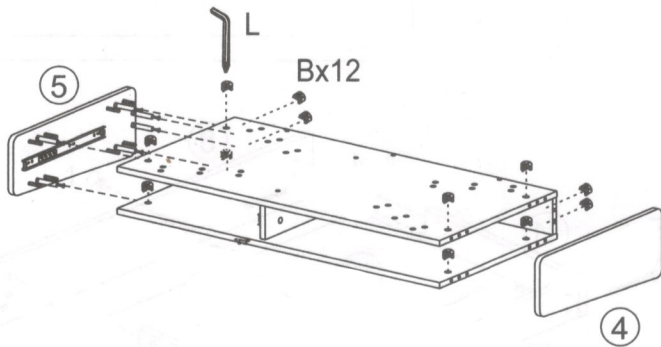
5



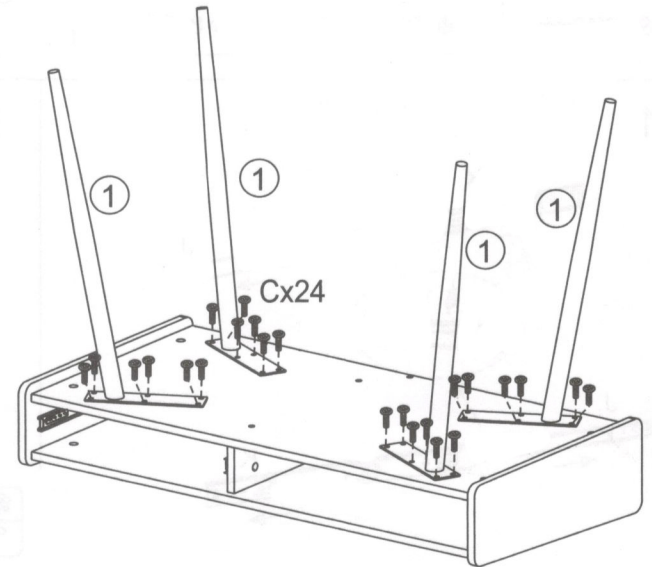
6



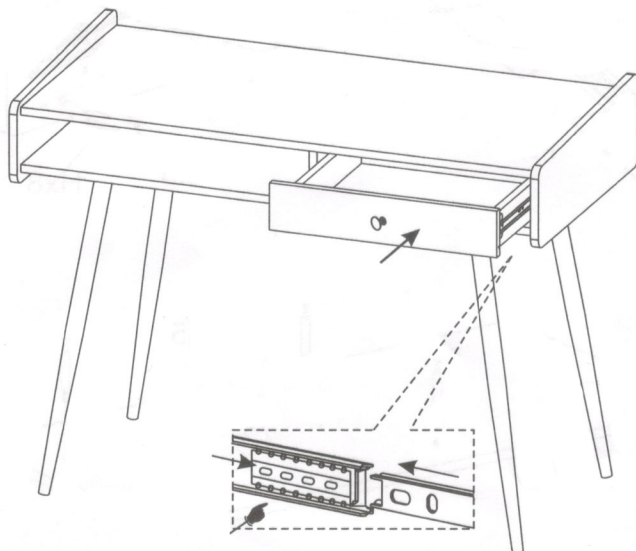
7



8



9



10

