






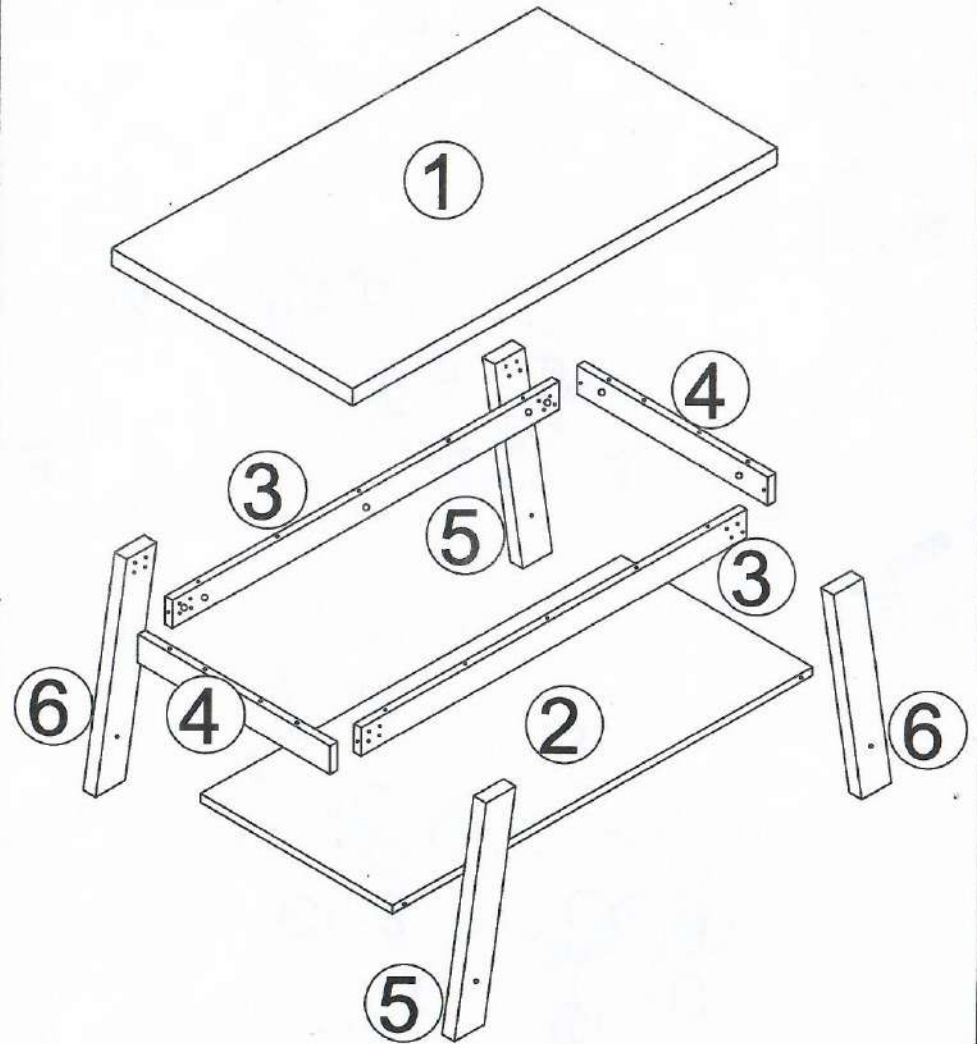
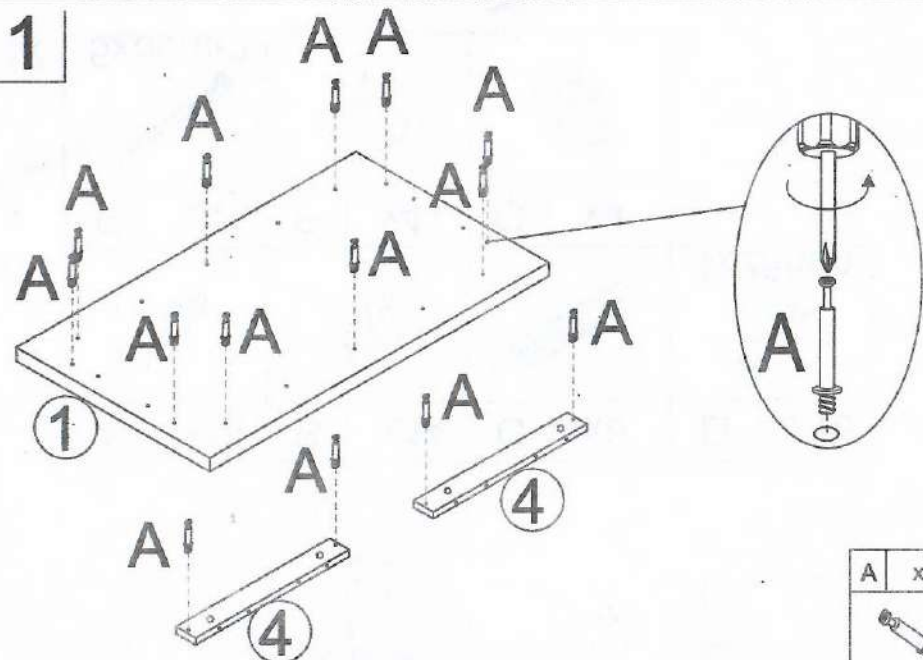


A	x14	B	x14	C	x8	D	x16
							4x25mm
E	x4	F	x4	G	x4		
							
5x50mm							



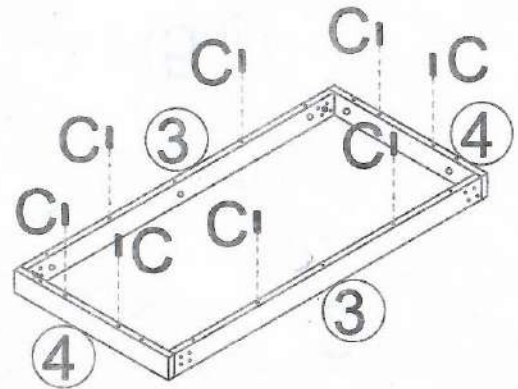
1



A x14



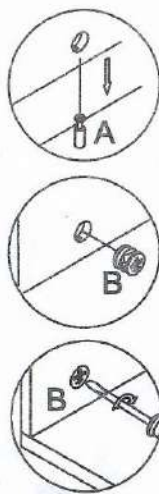
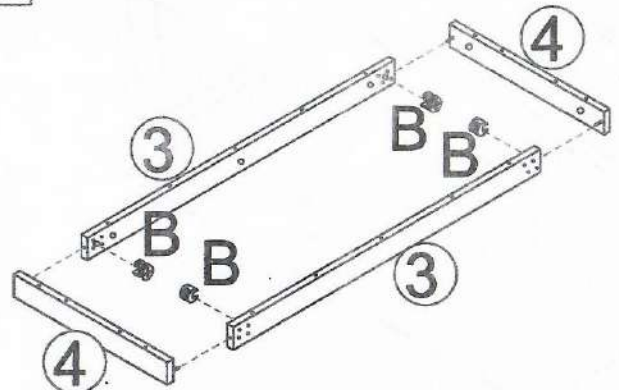
3




C x8



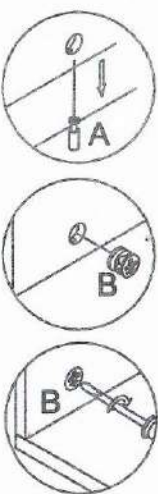
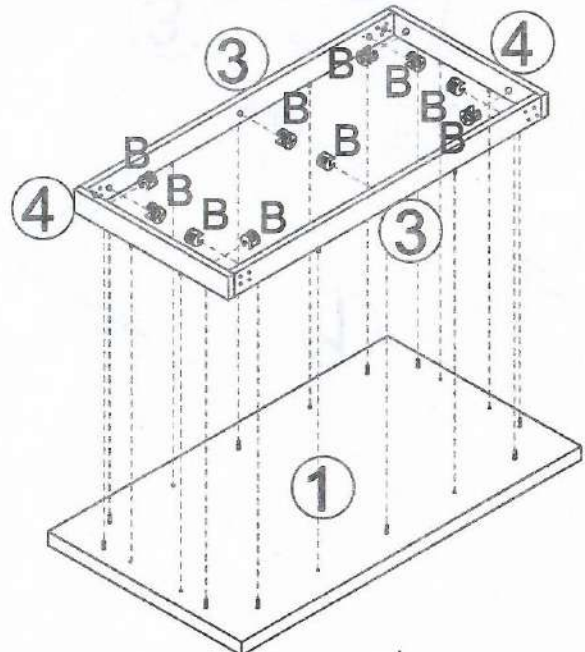
2




B x4



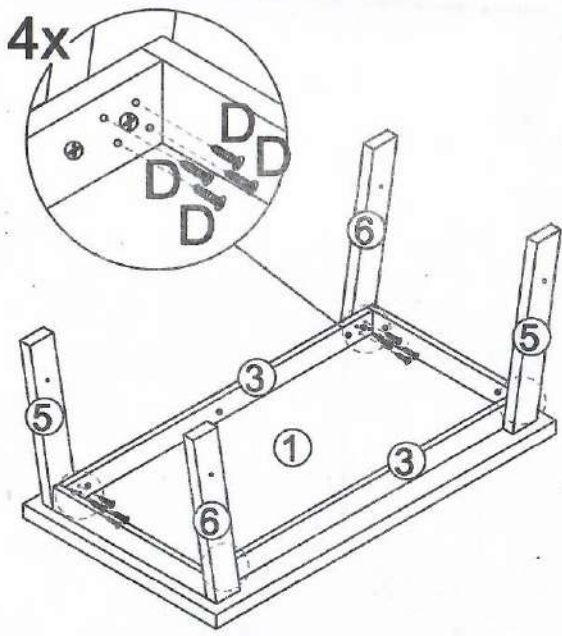
4




B x10

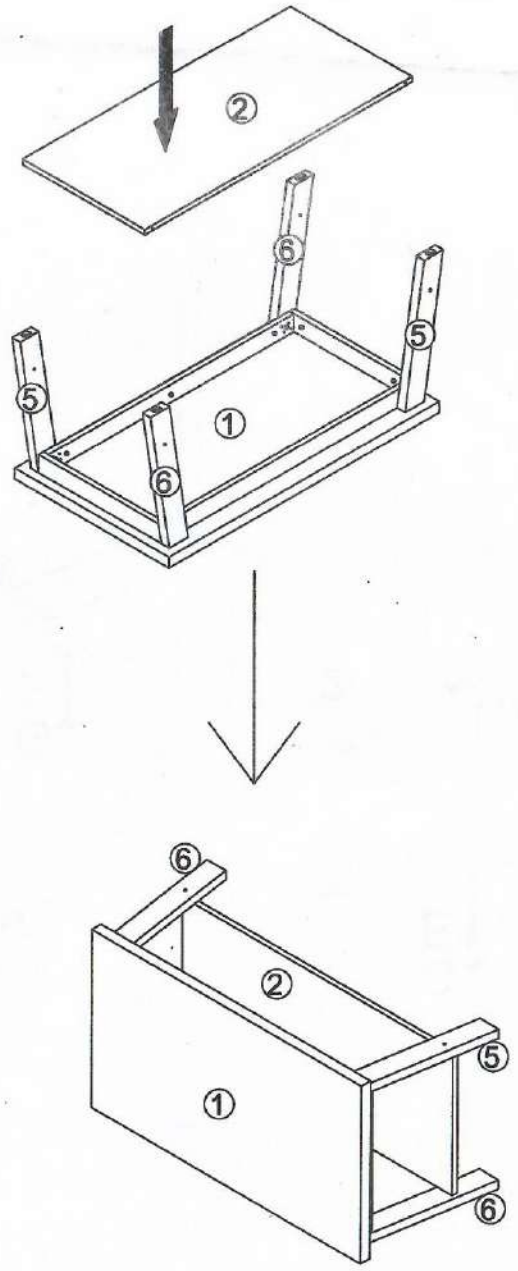


5

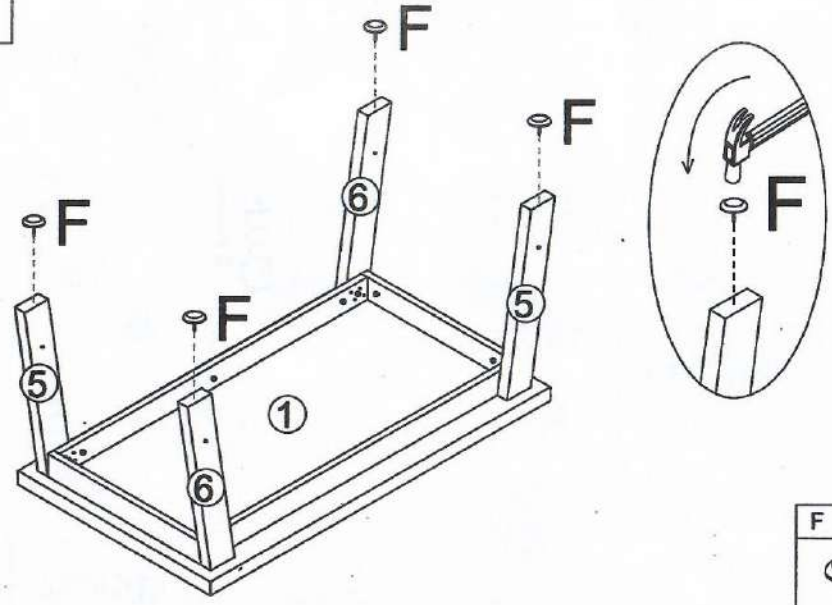



D x16  
  
 4x25mm

7

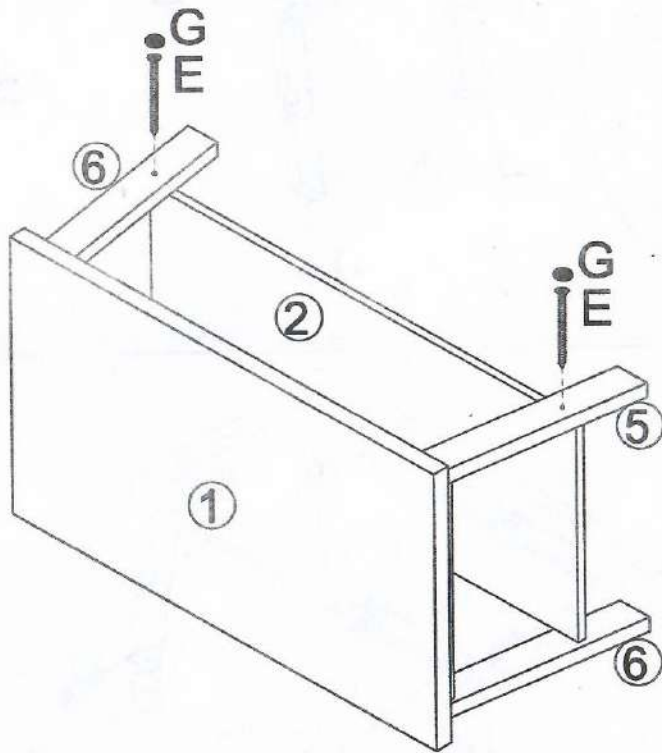




6



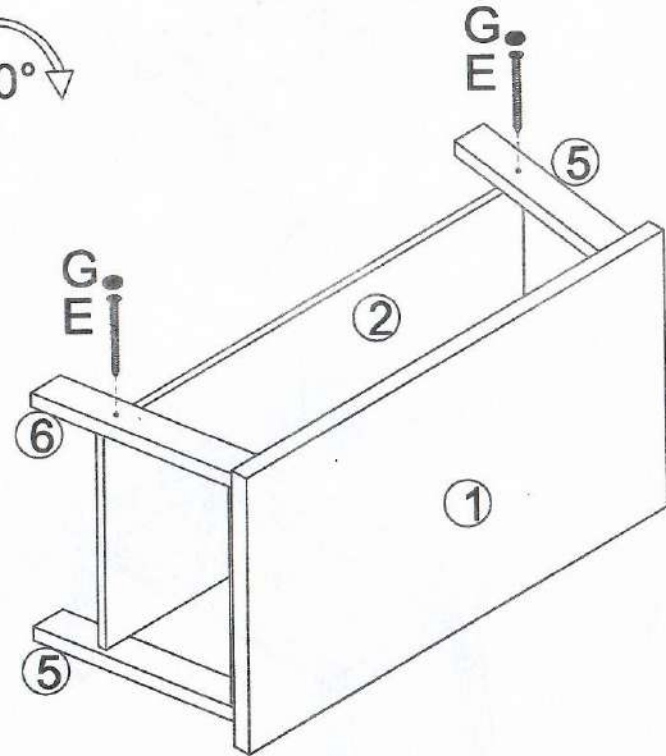
F x4  




8



E	x2	G	x2
			
5x50mm			

9



E	x2	G	x2
			
5x50mm			