
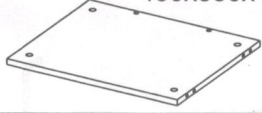
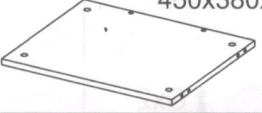
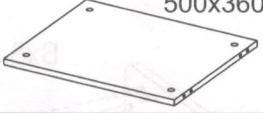
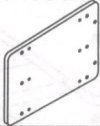
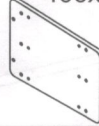
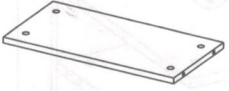
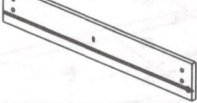
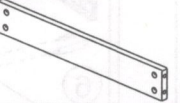
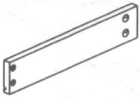
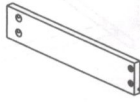

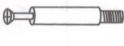




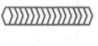
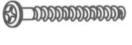








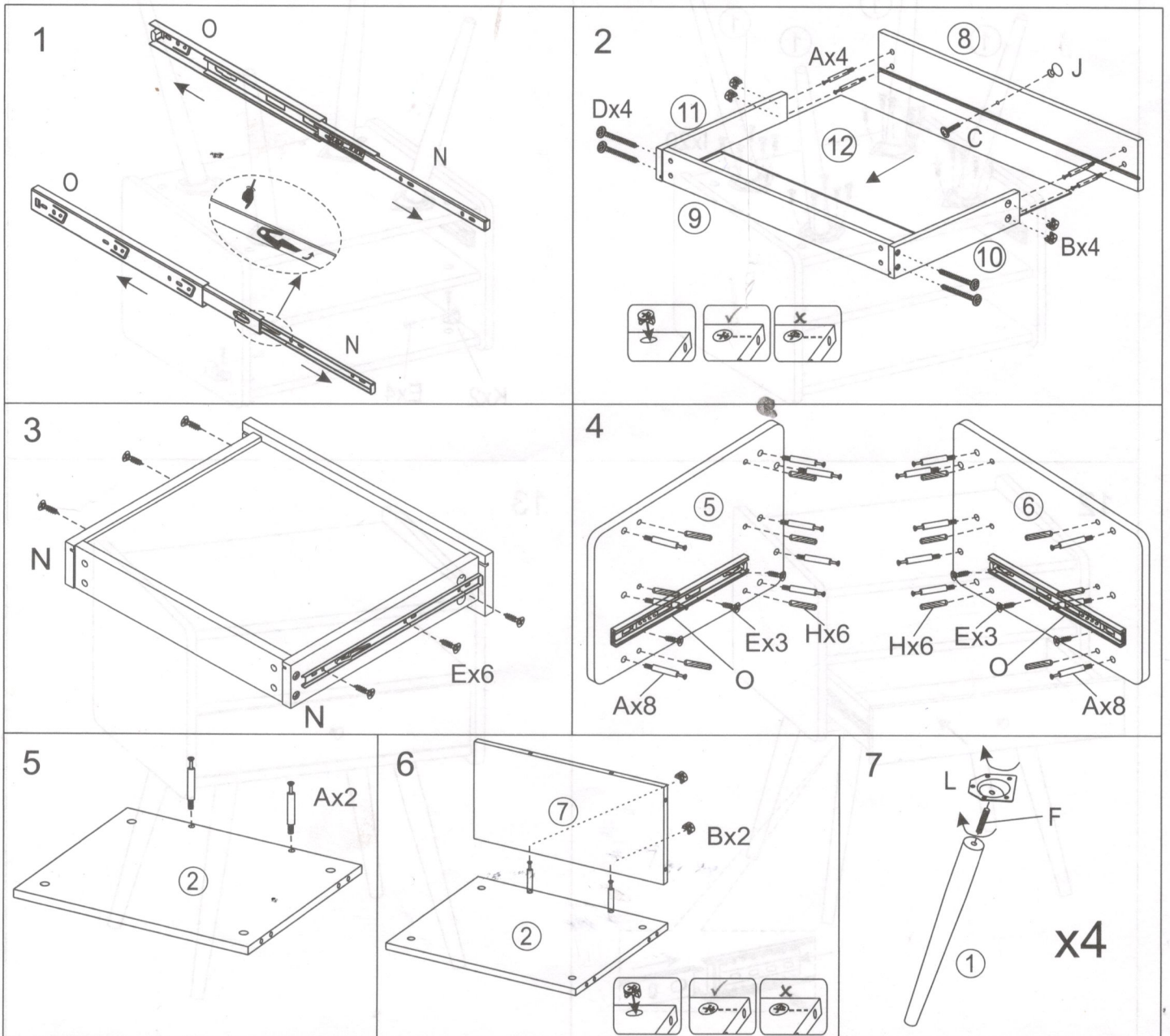
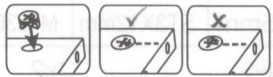
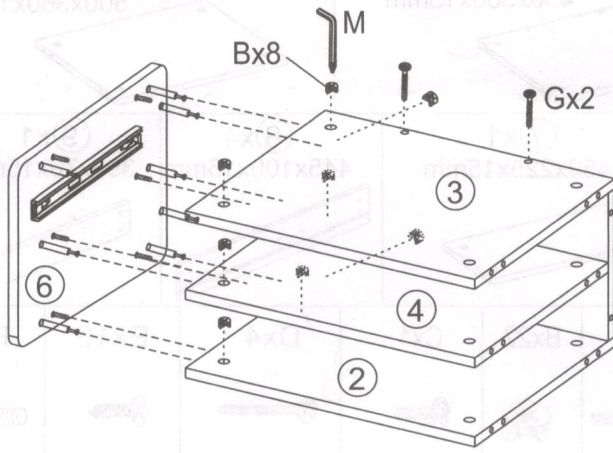


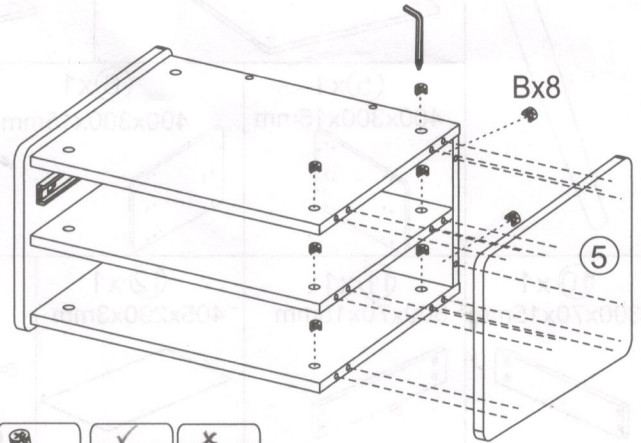
①x4 	②x1 450x380x15mm 	③x1 450x380x15mm 	④x1 500x360x15mm 						
	⑤x1 400x300x15mm 	⑥x1 400x300x15mm 	⑦x1 450x225x15mm 	⑧x1 445x100x15mm 	⑨x1 395x70x15mm 				
⑩x1 300x70x15mm 	⑪x1 300x70x15mm 	⑫x1 405x290x3mm 	Ax22  M6x40mm	Bx22 	Cx1  M4x18mm	Dx4  ST5x45mm	Ex16  ST3X12mm	Fx4  M8x30mm	
Gx2  φ 7x38mm	Hx12  φ 8x35mm	Ix20  ST4X14mm	Jx1 	Kx2 	Lx4 	Mx1 	Nx2 	Ox2 	



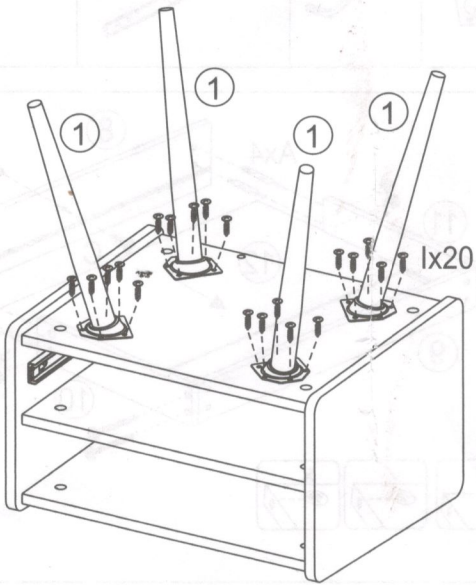
8



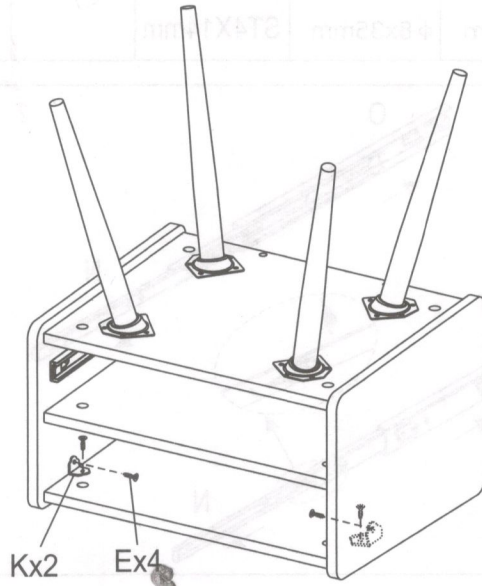
9



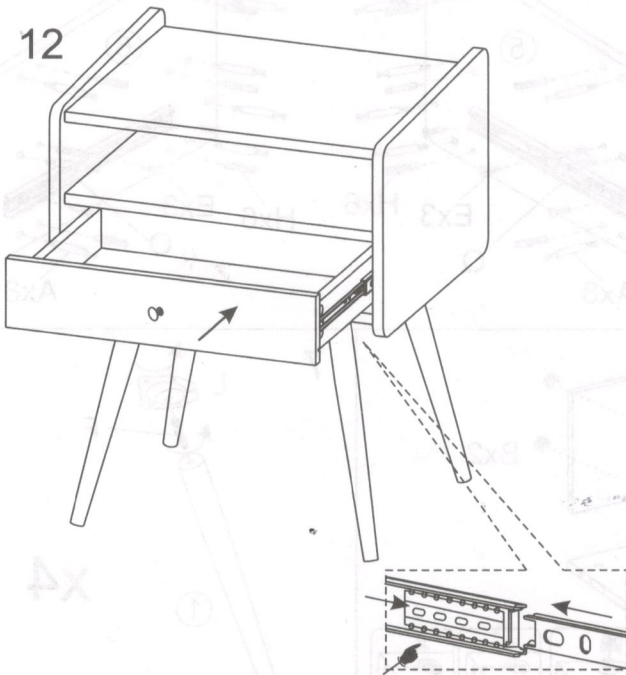
10



11



12



13

