


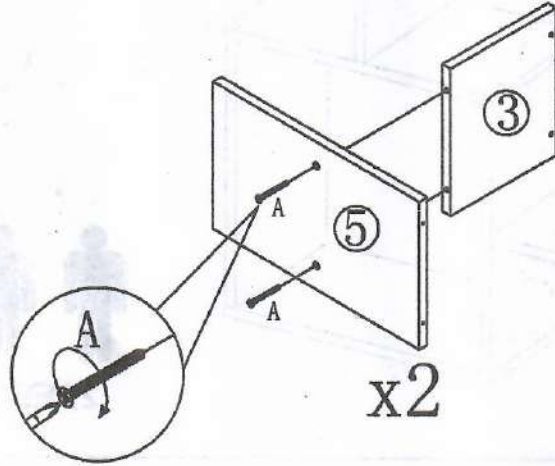



A	×30	B	×2	C	×12
					
φ4*40mm		φ8*40mm		φ20mm	

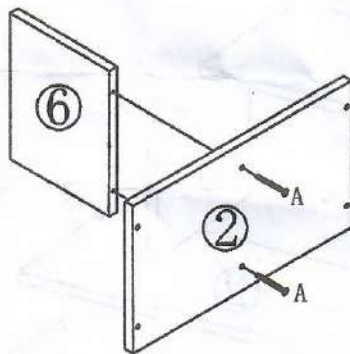
1




x2

A	×4
	
φ4*40mm	

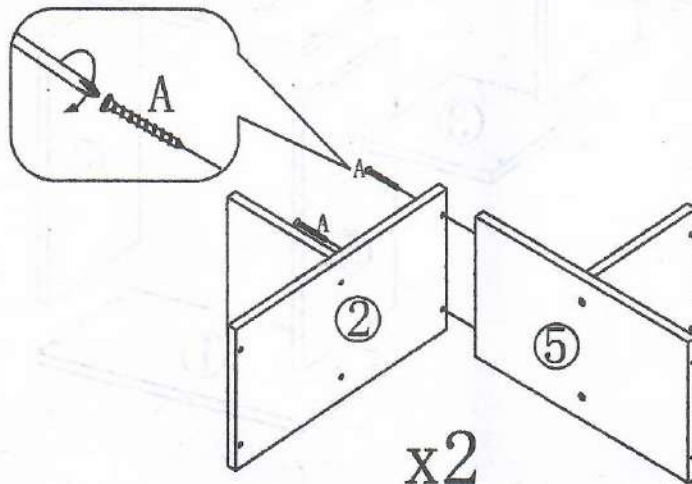
2




x2

A	×4
	
φ4*40mm	

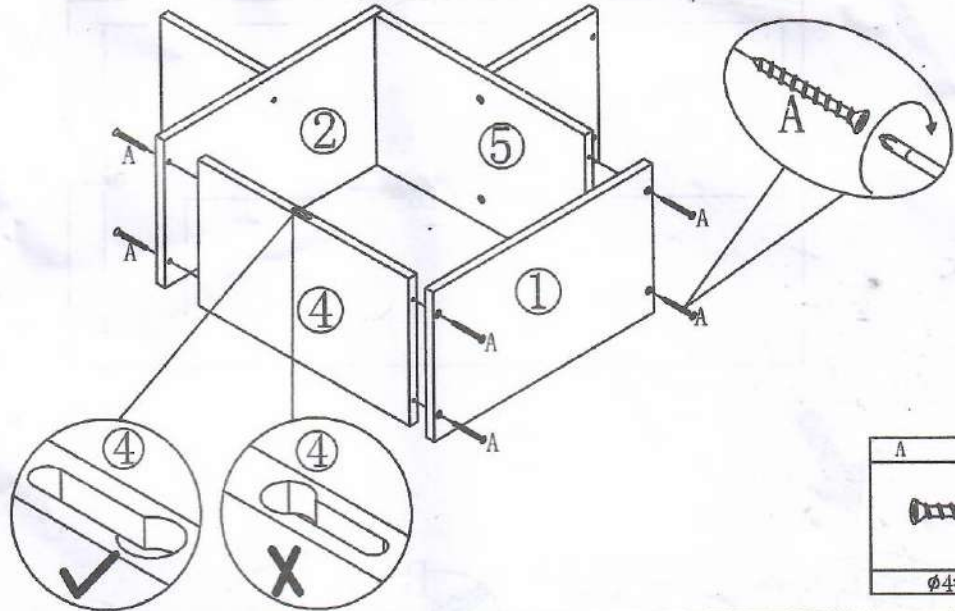
3



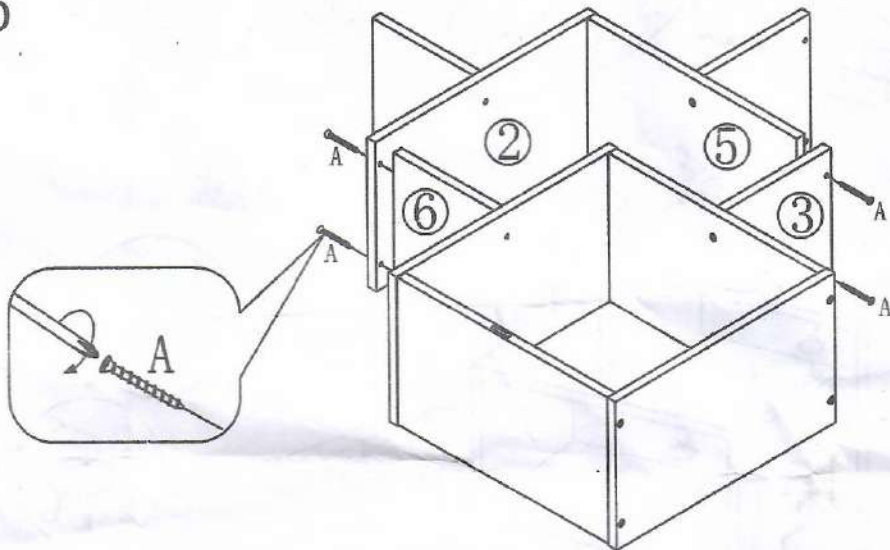
x2

A	×4
	
φ4*40mm	

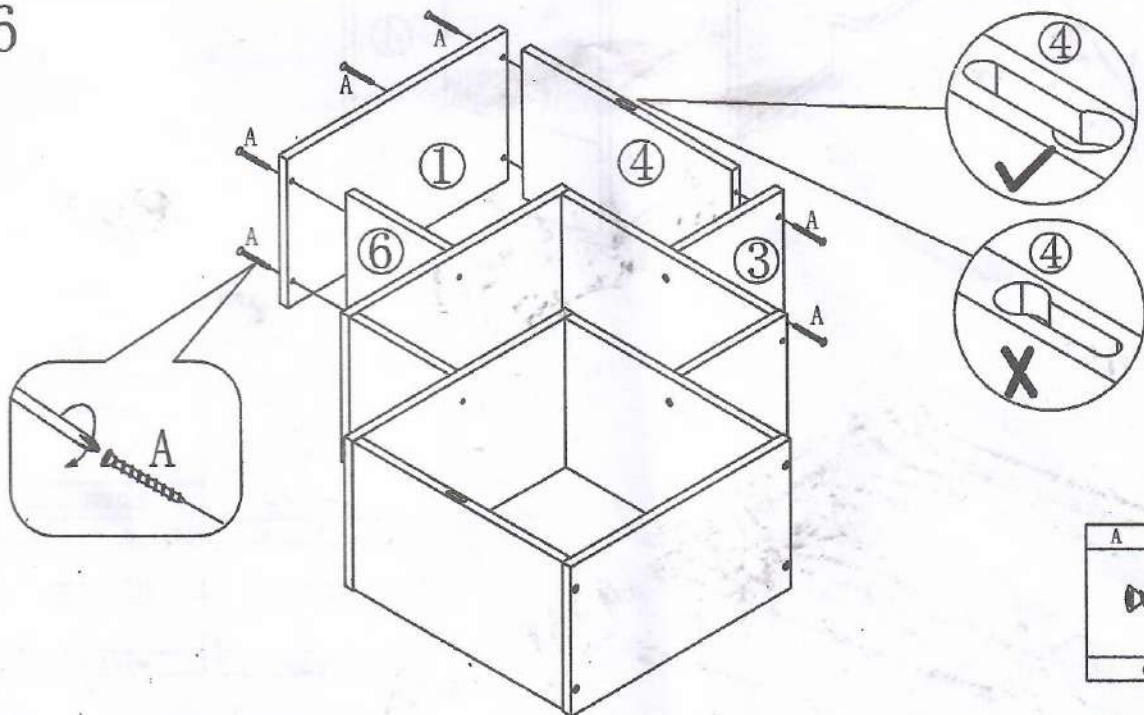
4



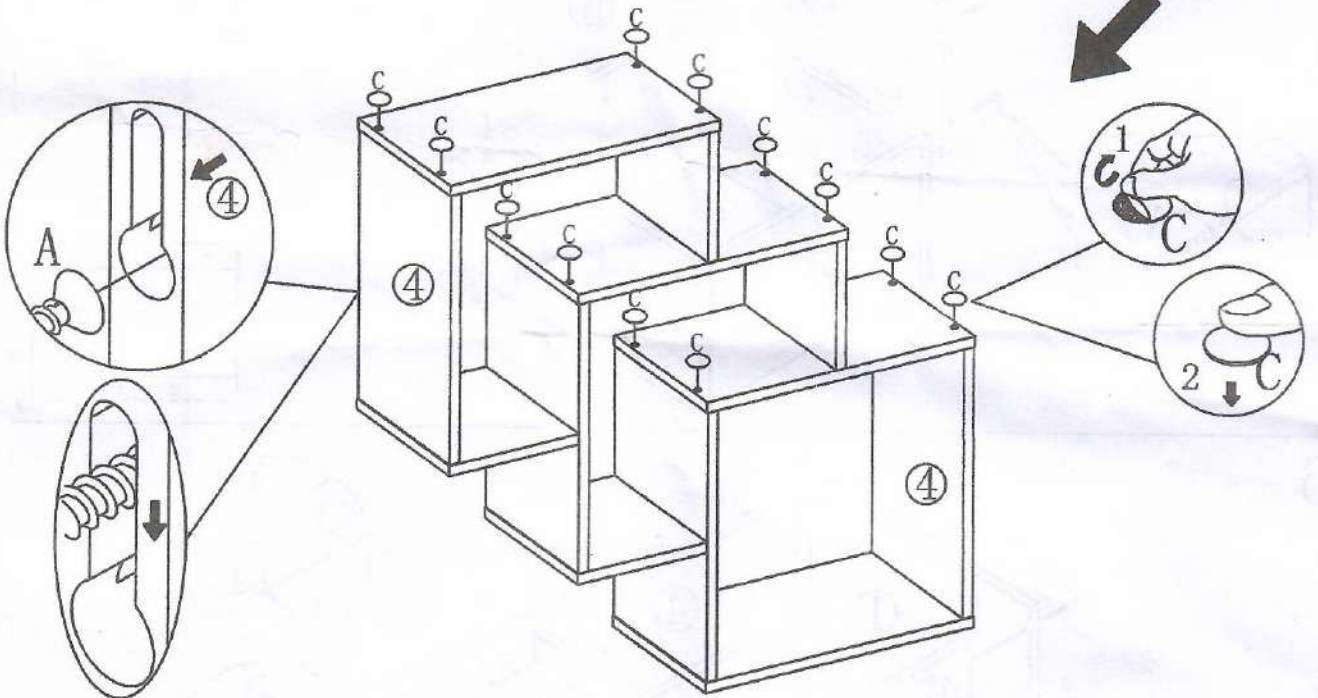
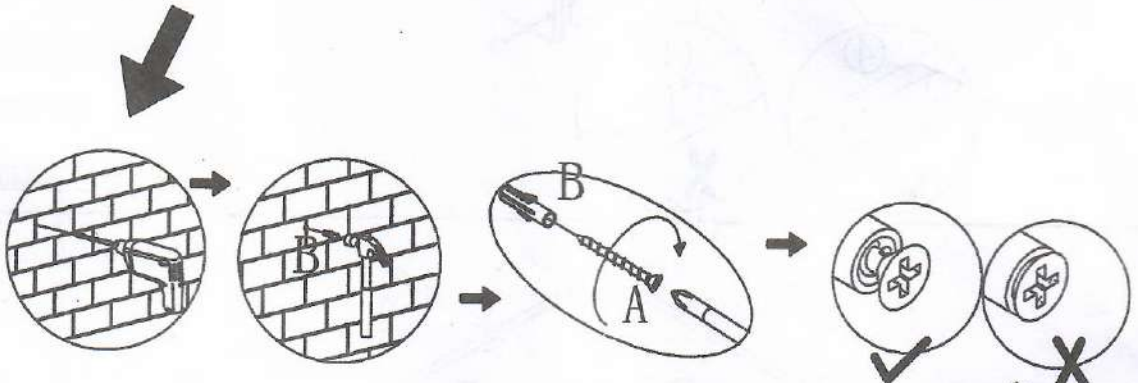
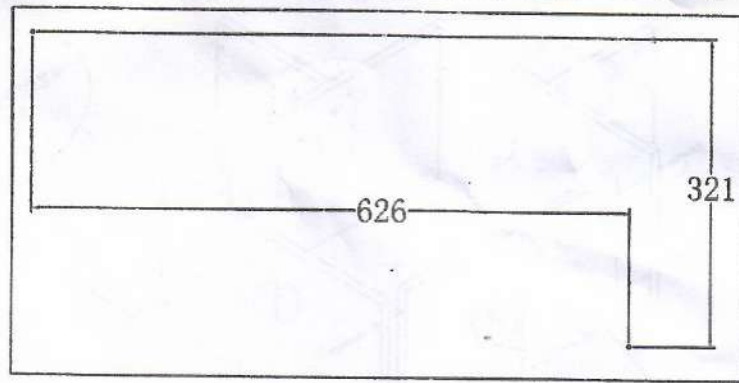
5






6



7



A	×2	C	×12
			
$\phi 4 \times 40 \text{mm}$		$\phi 20 \text{mm}$	
B	×2		
			
$\phi 8 \times 40 \text{mm}$			