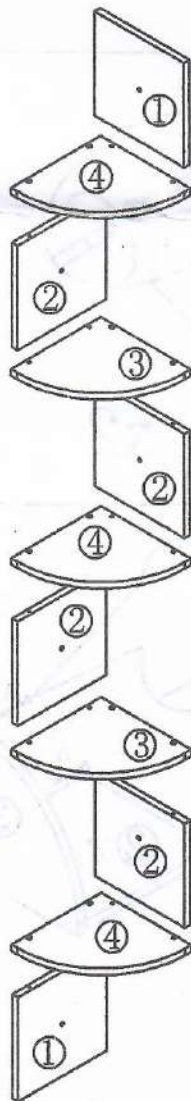
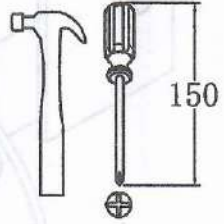




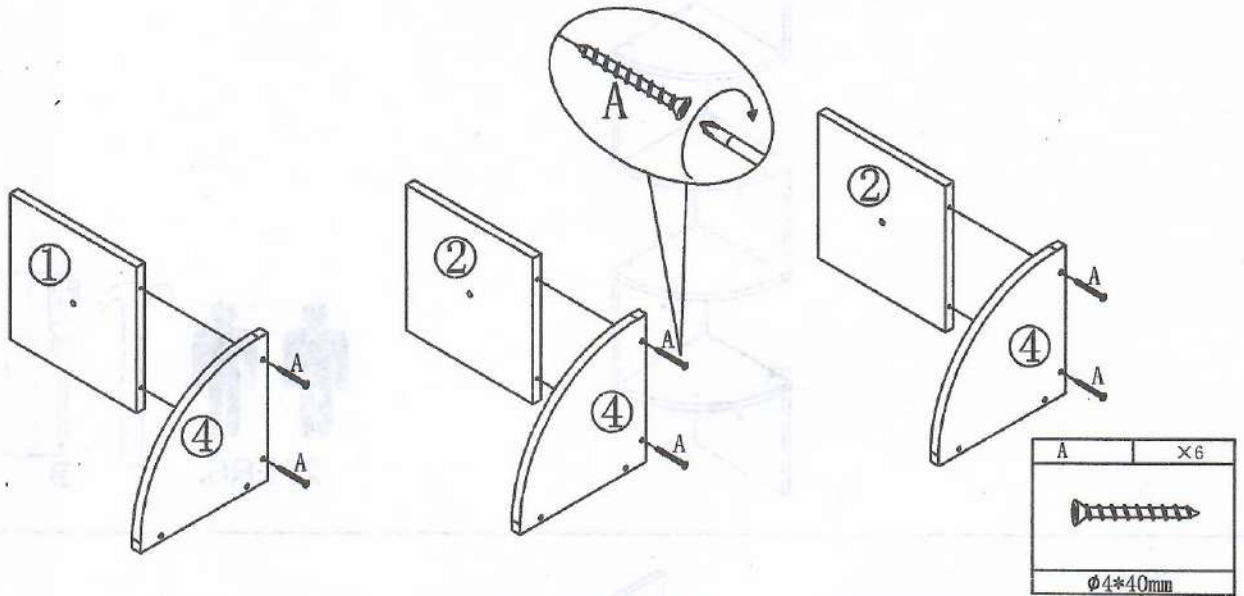


**2PERS.**

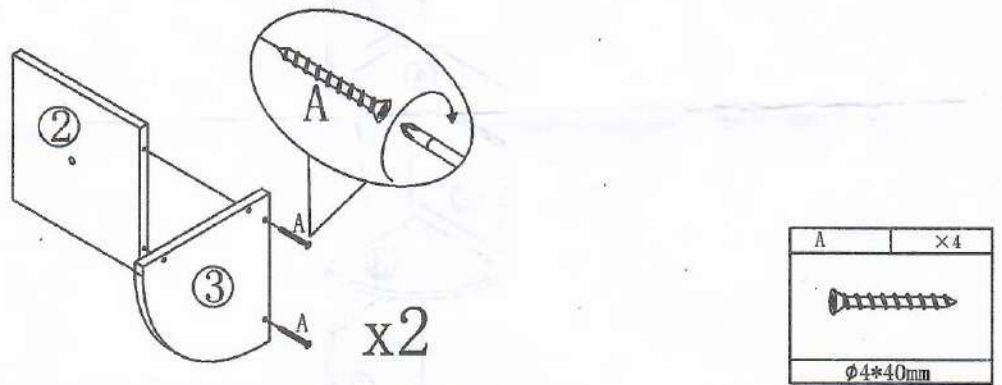


A	×20	B	×6	C	×6	D	×16
							
φ4*40mm		φ8*40mm		φ4*40mm		φ20mm	

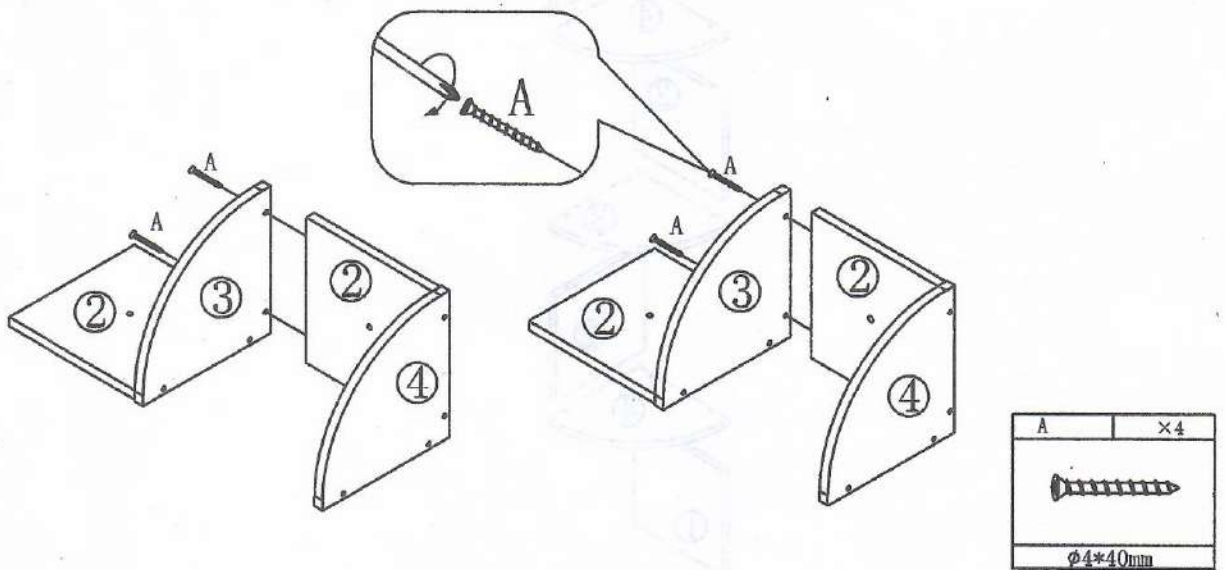
1



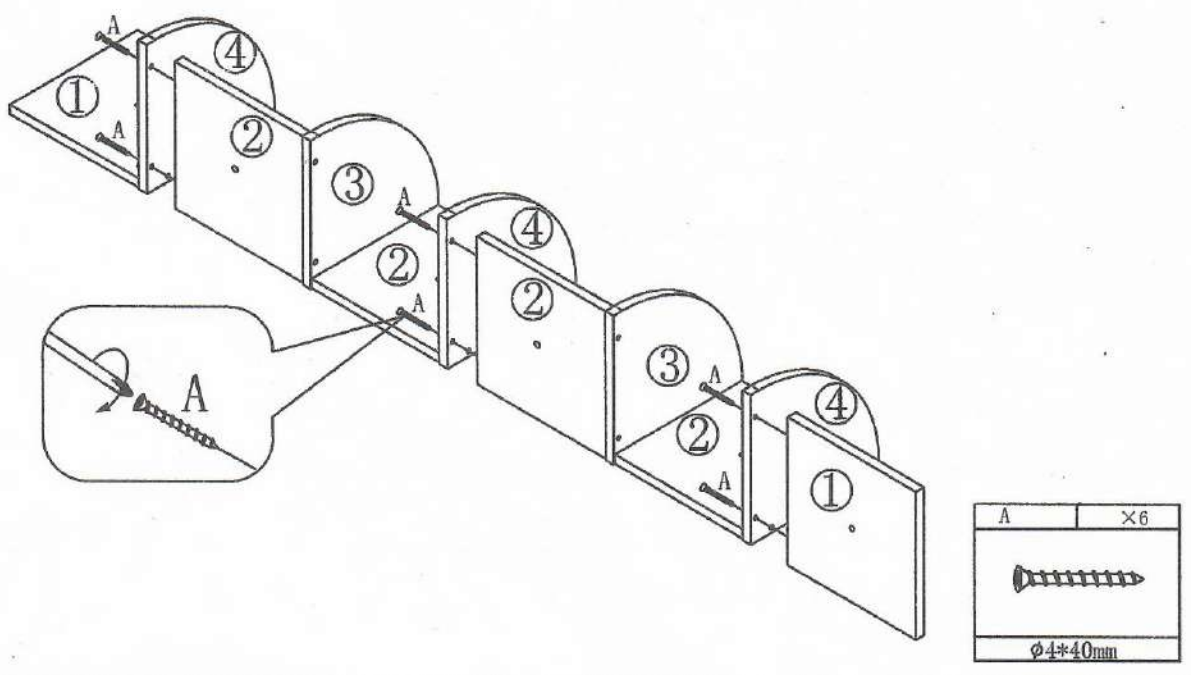
2



3



4



5

